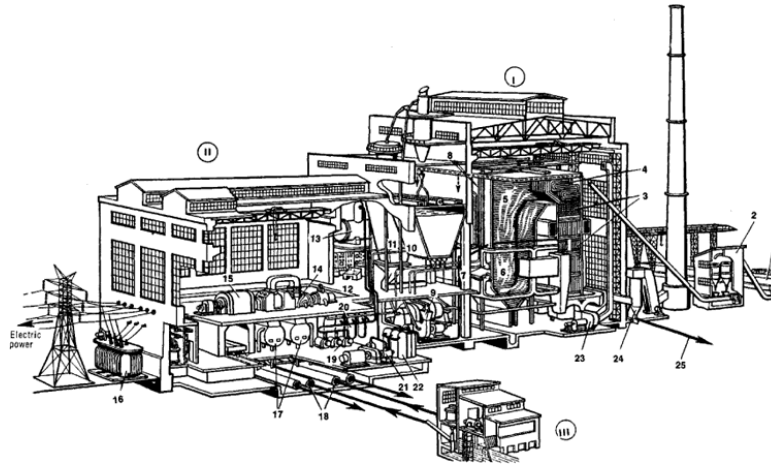


National Air Compliance Training Program

Industrial Boilers

NACT 273



- 8:30 Introductions, Pretest, Course Overview, Boiler Uses
- 9:00 Terminology and Boiler Types
- 9:15 Theory and Operation of Boilers
- 10:00 Break
- 10:15 Boiler Components and Designs
- 11:00 Emissions and Control Techniques
- 12:00 Lunch
- 1:00 Boiler Regulations and Permits
- 1:30 Monitoring, Source Testing, Inspections, and Safety
- 2:00 Site Visit
- 4:30 Review and Discussion, Final Examination
- 5:00 Adjourn

July 2013